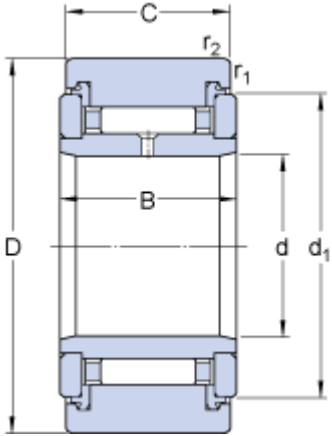


NATR 8 PPXA

Dimensions



D		24	mm
d		8	mm
C		14	mm
B		15	mm
d ₁		19	mm
r _{1,2}	min.	0.3	mm

Calculation data

Basic dynamic load rating	C	5.3	kN
Basic load rating, static	C ₀	6.1	kN
Fatigue load limit	P _u	0.695	kN
Maximum static radial loads	F _r	5.2	kN
Maximum static radial loads	F _{0r}	7.4	kN
Limiting speed		5000	r/min

Mass

Mass support roller		0.038	kg
---------------------	--	-------	----